

The Thermostatic Mixing Valve maintains and limits ( $\pm 3$  °F) mixed hot water to a desired, selectable and safe temperature between 80 °F and 120 °F. The mixing valve incorporates integral inlet filter washers and check valves in both the hot and cold water inlets to protect against cross flow. This thermostatically modulated mixing valve is ideal for point-of-use installation prior to the valves to provide the Bliss Walk-in Bathtub with tempered water. The valve is provided with an adjustment cap that includes a locking feature.



**WARNING...** THE LICENSED GENERAL CONTRACTOR OR PLUMBER INSTALLING THIS VALVE IS REQUIRED TO CONSULT THE LOCAL BUILDING AND PLUMBING CODES PRIOR TO INSTALLATION. IF THE INFORMATION IN THIS APPENDIX IS NOT CONSISTENT WITH LOCAL BUILDING OR PLUMBING CODES, THE LOCAL CODES SHOULD BE FOLLOWED.



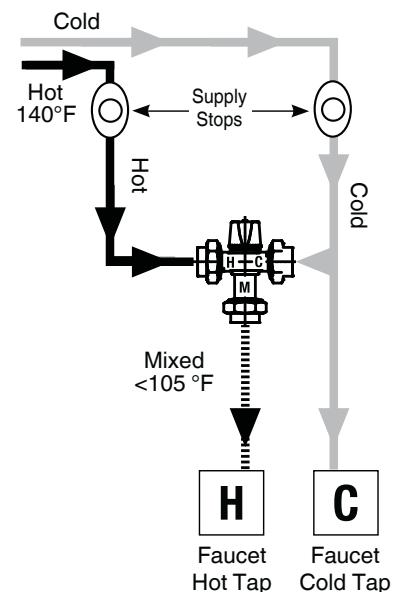
**DANGER...** FAILURE TO COMPLY WITH PROPER INSTALLATION AND MAINTENANCE INSTRUCTIONS COULD CONTRIBUTE TO VALVE FAILURE, RESULTING IN INJURY AND/OR DEATH. TO ENSURE ACCURATE AND RELIABLE OPERATION OF THIS PRODUCT, IT IS ESSENTIAL TO:

- PROPERLY DESIGN THE SYSTEM TO MINIMIZE PRESSURE AND TEMPERATURE VARIATIONS.
- CHECK OUTLET TEMPERATURE TO ENSURE IT DOES NOT EXCEED 105 °F. THIS VALVE IS NOT FACTORY PRESET AND DELIVERY OF SCALDING TEMPERATURES IS POSSIBLE IF NOT PROPERLY ADJUSTED. MAKE SURE TEMPERATURE LIMIT STOP IS PROPERLY RE-SET TO MAXIMUM 105 °F FOLLOWING VALVE MAINTENANCE OR REPAIR. TAMPERING WITH LIMIT STOP IN ANY WAY MAY RESULT IN SCALDING TEMPERATURE CAUSING SERIOUS BODILY HARM AND/OR DEATH.

**INSTALLATION INSTRUCTIONS:**

1. Choose an installation location that is easily accessible for cleaning, service or adjustment, preferably in reach of faucet supply flex hoses (example shown on next page).
2. Close both the hot and cold water shutoff valves leading the valve.
3. Bleed the remaining water from the system.
4. Connect the water supply to valve as shown in Fig. 1 - Application.
5. Valve can be installed in any position. (i.e. upside down, sideways), so long as the inlets and outlets are properly connected and the valve remains stationary during use.
6. Make sure the union nuts are placed over tailpieces prior to soldering or threading to pipe. To prevent damage to valve from excessive heat during soldering, remove unions and gaskets from valve body prior to soldering.
7. After soldering, flush piping of solder and debris and install valve using filter washer on hot and cold water inlet and fiber washers on the mixed water outlet.
8. Start-up: Open cold water supply, then hot water supply. Inspect for leaks.
9. Adjust temperature to desired setting as shown in Fig. 2 - Temperature Adjustment. Bliss Tubs recommends a maximum temperature setting of 105 °F.

**FIG. 1 - APPLICATION**



**SAVE THESE INSTRUCTIONS**

MIXED TO HOT TAP

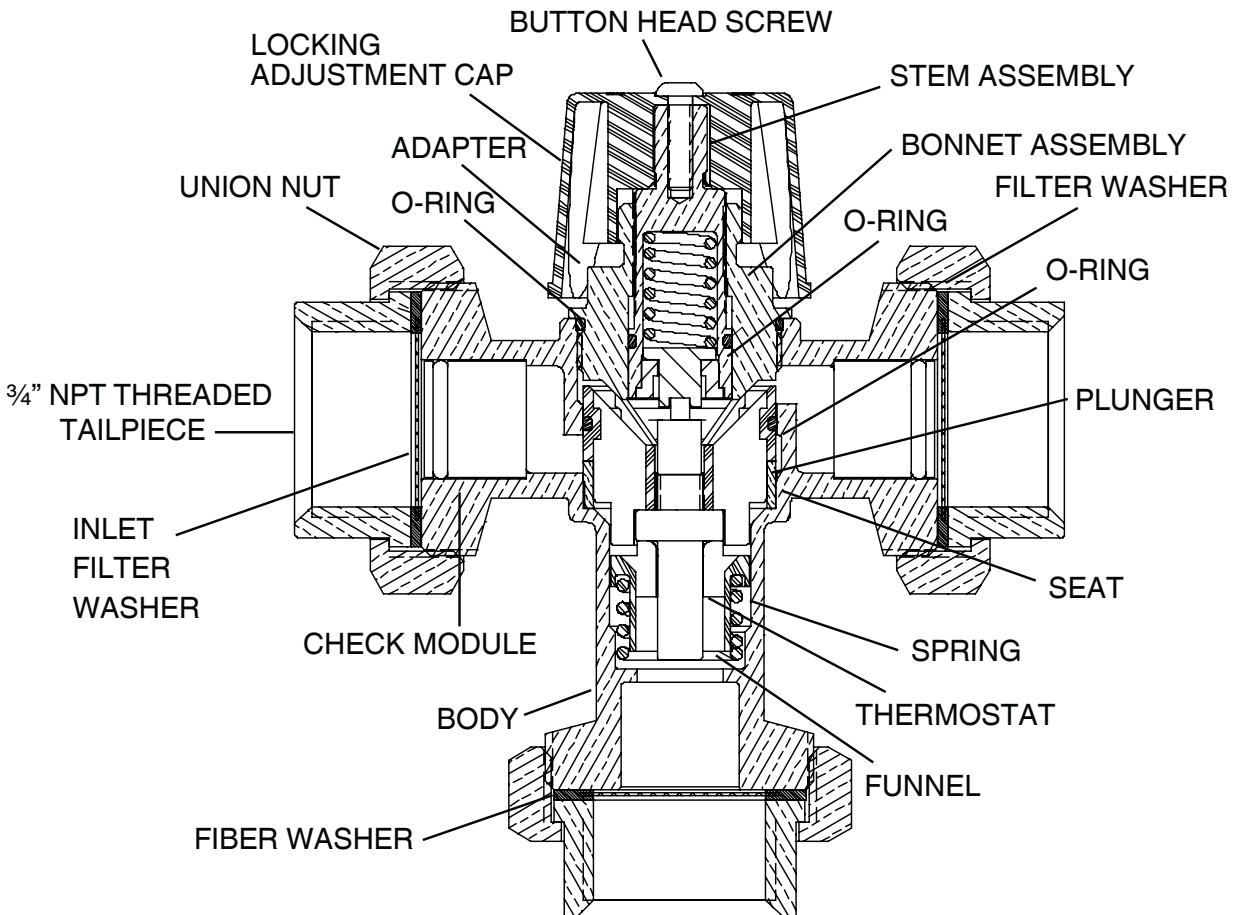
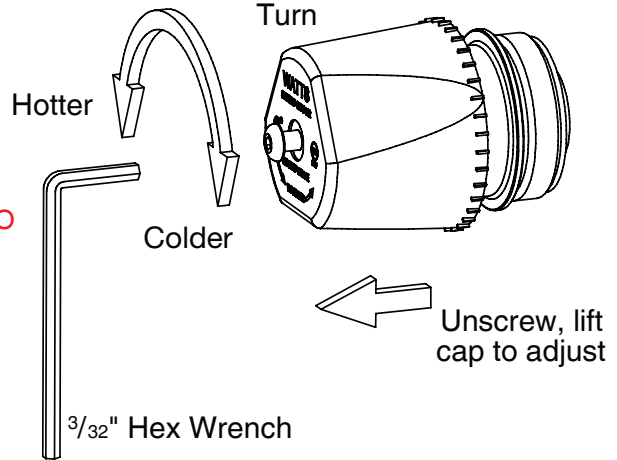
COLD TO COLD TAP



HOT TO MIXING VALVE

COLD TO MIXING VALVE

**FIG. 2 - TEMPERATURE ADJUSTMENT**



**(FOR MORE DETAILED INSTRUCTIONS, REFER TO MANUFACTURER'S MANUAL PROVIDED WITH THE VALVE OR REFER TO THE WATTS WEBSITE)**

**SAVE THESE INSTRUCTIONS**