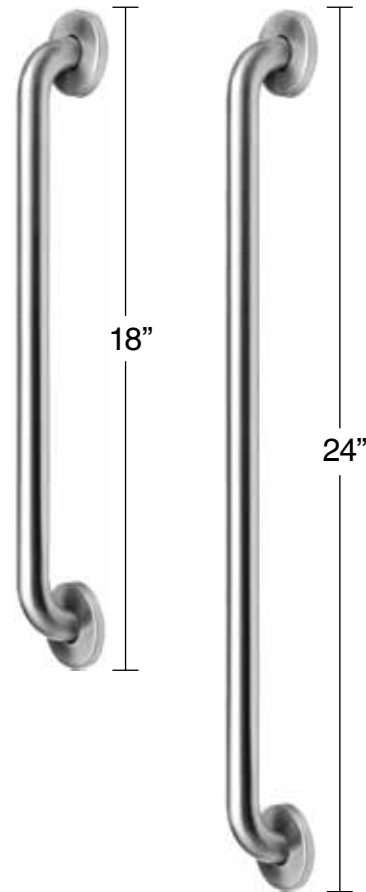


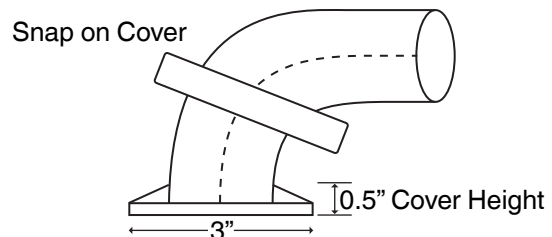
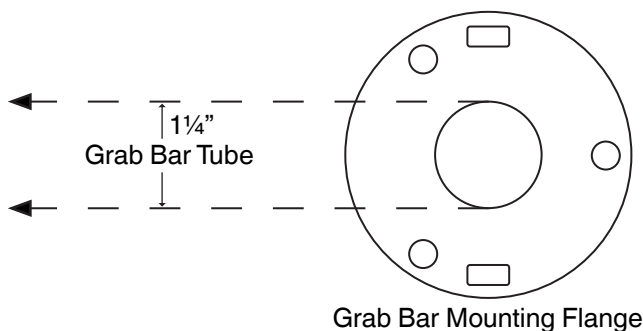
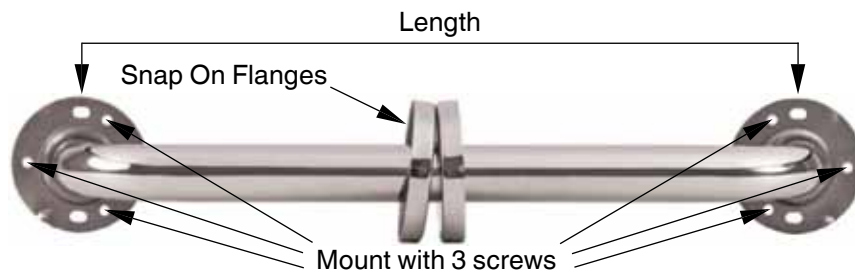
AVAILABLE IN 18" OR 24" POLISHED STEEL

INSTALLATION

1. Determine installation location based on accessibility needs, structure, and State and local laws.
2. Premium stainless steel grab bars are designed to hold live loads and must be installed into adequate structure blocking.
3. Six stainless steel screws are provided for mounting into adequate structure blocking.
4. Mark location through the three screw holes on each end.
5. Drill pilot holes.
6. Screw in the six screws and snap in the trim rings. Be careful not to scratch the surface of the grab bar as the trim rings are secured.



WARNING... FAILURE TO PROPERLY SECURE GRAB BARS IN STRUCTURAL BLOCKING OR STUDS CAN RESULT IN FALLING AND POTENTIAL SEVERE BODILY INJURY.



SAVE THESE INSTRUCTIONS