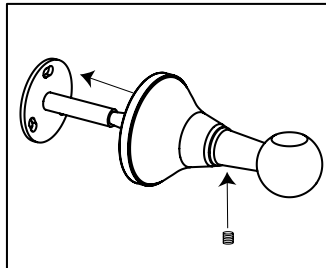
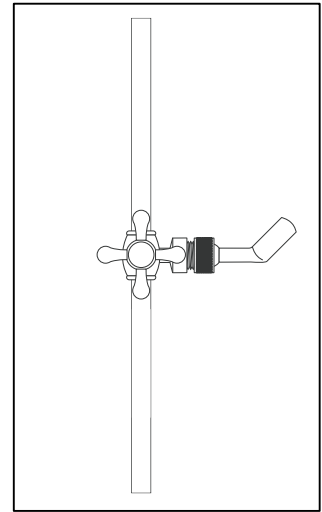


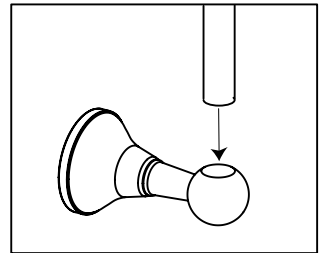
1. Measure complete slide bar from center of the escutcheon to the center of the other escutcheon. Transfer those dimensions to the mounting surface. Attach mounting brackets to the wall. It is highly recommended that the brackets be mounted into a vertical stud.



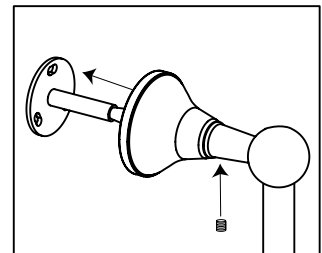
2. Install escutcheon and trim ring to the lower mounting bracket. Use set screw to tighten escutcheon to post of mounting bracket.



3. Slide handshower holder onto slide bar.



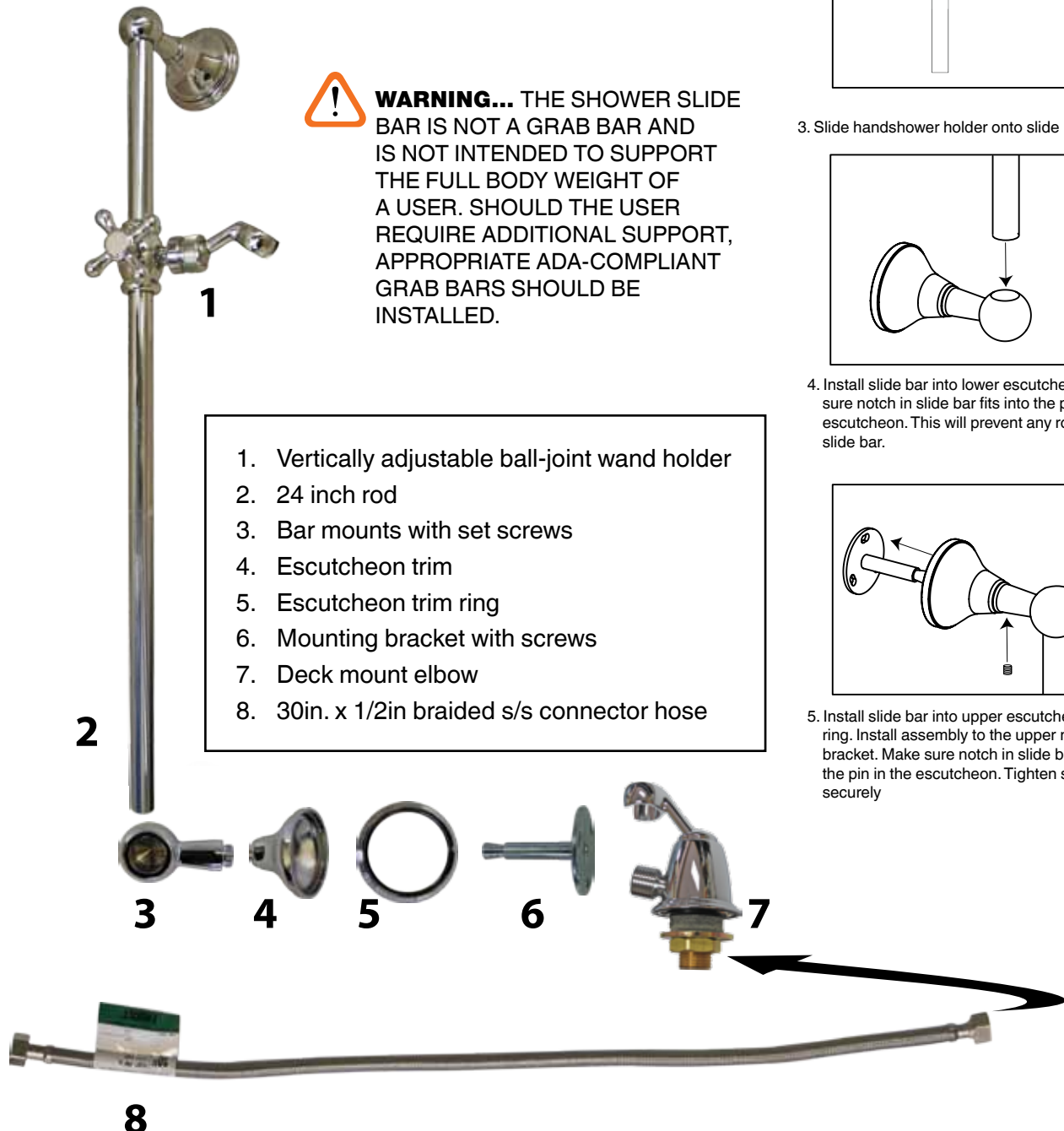
4. Install slide bar into lower escutcheon. Make sure notch in slide bar fits into the pin in the escutcheon. This will prevent any rotation of the slide bar.



5. Install slide bar into upper escutcheon and trim ring. Install assembly to the upper mounting bracket. Make sure notch in slide bar fits into the pin in the escutcheon. Tighten set screws securely.



**WARNING...** THE SHOWER SLIDE BAR IS NOT A GRAB BAR AND IS NOT INTENDED TO SUPPORT THE FULL BODY WEIGHT OF A USER. SHOULD THE USER REQUIRE ADDITIONAL SUPPORT, APPROPRIATE ADA-COMPLIANT GRAB BARS SHOULD BE INSTALLED.



- 1. Vertically adjustable ball-joint wand holder
- 2. 24 inch rod
- 3. Bar mounts with set screws
- 4. Escutcheon trim
- 5. Escutcheon trim ring
- 6. Mounting bracket with screws
- 7. Deck mount elbow
- 8. 30in. x 1/2in braided s/s connector hose

**SAVE THESE INSTRUCTIONS**