



# Walk-in Tub Specifications

## Model B3260

Tub Dimensions: 32 X 59<sup>3</sup>/<sub>4</sub> X 36 inches

Top Diagonal: 68 inches

Tub Weight: 170 lbs

*Note: No system or accessories included in tub weight.*

Crated Dimensions: 33 X 52 X 46<sup>1</sup>/<sub>2</sub> inches

Crated Weight: 215 lbs

*Note: No system or accessories included in crated weight.*

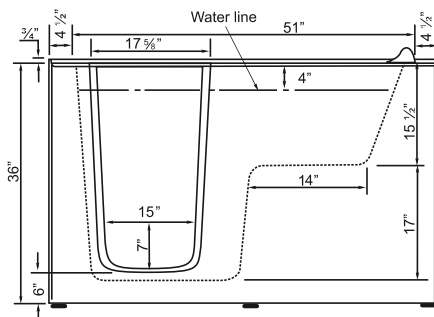
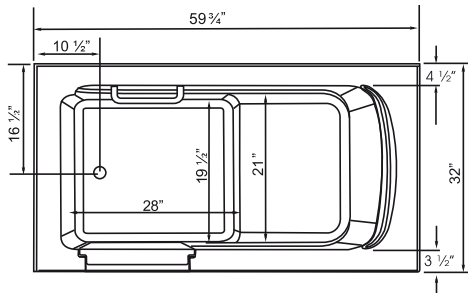
Occupant:	120 lbs	200 lbs	250 lbs
Gallons:	71	66	60

Materials: stainless steel frame  
sturdy, woven-fiberglass  
high-gloss gel-coat finish

Colors Available: white, bisque

Tub frame, body and door seal under 10-year warranty

Fixtures and system components under 2-year warranty



### Tub Features:

- Right or left-hand inward-swinging door and drain orientation
- Ergonomic door handle
- Ergonomic interior grab bar
- Tile flanges up
- Stainless steel tub frame with 6 adjustable leveling feet
- Easily-removable access panels

### Included Accessories (standard with every tub):

- 5-piece chrome faucet set
  - ADA-compliant all-brass construction
  - 3/4" water supply capable of filling tub at 18 gallons per minute
- Drain and overflow kit
  - Elegant, chrome-plated design adheres to ADA standards
  - Easy-to-use, cable-actuated stopper assembly
  - 1-1/2" drain compatible with nearly all residential plumbing

### Optional Massage Systems:

- Senior-friendly electronic keypad standard with all systems
- All system components UL certified

#### *Air massage system* (110-120V)

- 18 state-of-the-art air jets
- Ultra-quiet, variable-speed CG Air blower
- Ceramic heating element warms blower air
- Automatic purge cycle

#### *Hydromassage system* (110-120V)

- 10 vigorous, individually-adjustable, directional water jets
- Hydromassage pumps are ultra-quiet and energy efficient
- "Safety Suction" safely circulates the tub water

#### *Dual massage system* (110-120V)

- 16 air jets and 10 water jets
- Includes all other features of the air massage and hydromassage systems listed above

### Optional Accessories:

- In-line heater for hydro and dual massage systems
- Multiple finishes available for faucet sets
- Shower slide bar (multiple finishes available)
- Thermostatic mixing/anti-scald valve
- Custom walk-in tub shower curtain with L-shaped metal rod & hooks
- VUV-powered Ozone Purification System
- Aromatherapy system with essential oil kit
- Chromatherapy 7-color light system